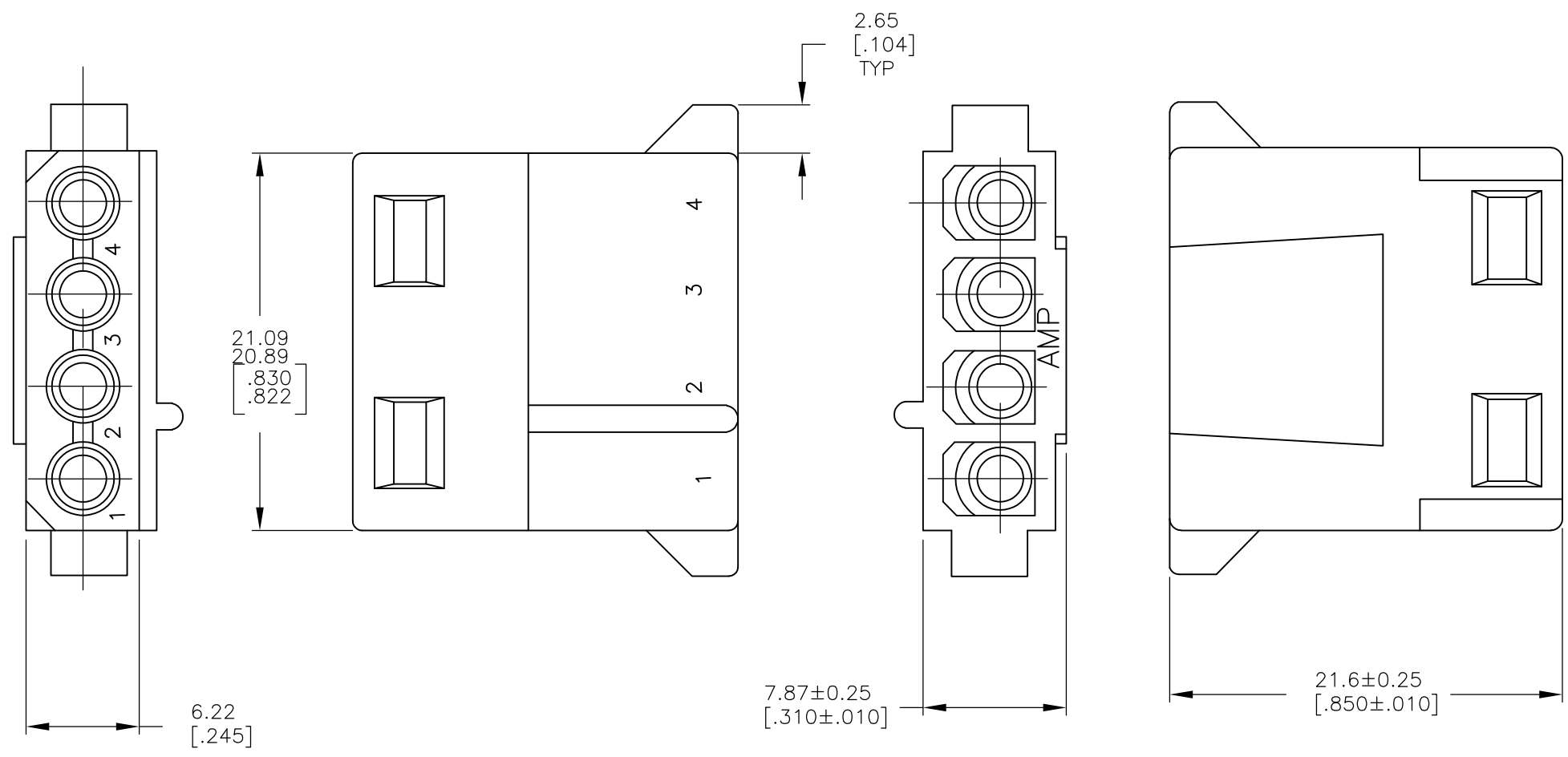



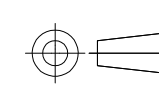
THIS DRAWING IS UNPUBLISHED. RELEASED FOR PUBLICATION - , - .
 © COPYRIGHT - By - ALL RIGHTS RESERVED.

LOC	DIST	REVISIONS			
P	LTR	DESCRIPTION	DATE	DWN	APVD
CM	0				
		N1	REVISED PER ECO-11-004587	11MAR11	RK HMR

- 1 THIS PLUG TO BE USED WITH CAP 480426.
- 2 TO BE USED WITH MATE-N-LOK™ SOCKETS.



BLACK	1-480424-9
NATURAL	1-480424-0
COLOR	PART NO.

THIS DRAWING IS A CONTROLLED DOCUMENT.		DWN K. WHITAKER 23JAN2007	 TE Connectivity		
DIMENSIONS: mm [INCHES]		CHK D. COLEY 23JAN2007			
TOLERANCES UNLESS OTHERWISE SPECIFIED: 0 PLC ± - 1 PLC ± - 2 PLC ± - 3 PLC ± .005 4 PLC ± - ANGLES ± 0°30'		APVD D. COLEY 23JAN2007	NAME PLUG, 4 CIRCUIT, MATE-N-LOK(TM)		
		PRODUCT SPEC -	SIZE A3		
MATERIAL		APPLICATION SPEC -	CAGE CODE 00779	DRAWING NO C-480424	RESTRICTED TO -
FINISH -		WEIGHT -	SCALE 3:1		
CUSTOMER DRAWING			SHEET 1 OF 1		
			REV N1		

METRIC